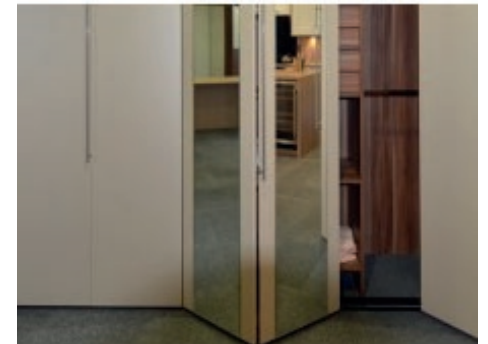




Wardrobe Care



---

# Welcome

Thank you for trusting Kelvin. For over 30 years, we have created beautiful kitchens, bedrooms and bathrooms for homes across Britain.

These simple operating and maintenance instructions will ensure prolonged reliability from your Kelvin products.

## Contents

Wardrobe Adjustments	2
Cleaning Guide	5
Kelvin Wardrobes	6

## Notes

We recommend you take a note of your chosen wardrobe system, mirror and/or glass, and door colour here. Should, in the unlikely event, issues arise with your products, you have a handy note of your products to help us assist you.

Bedroom 1 Door System: \_\_\_\_\_

Bedroom 1 Door Colour / Glass / Mirror: \_\_\_\_\_

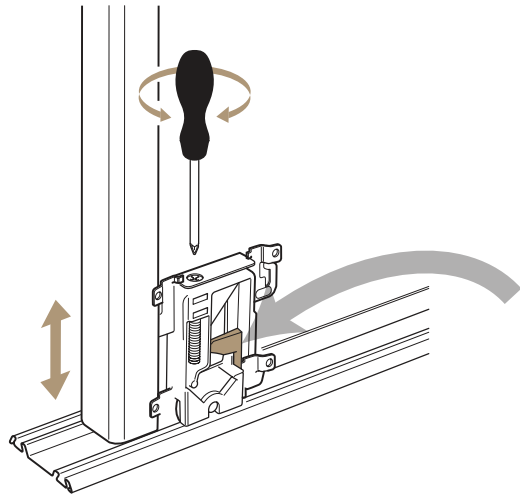
Bedroom 2 Door System: \_\_\_\_\_

Bedroom 2 Door Colour / Glass / Mirror: \_\_\_\_\_

Bedroom 3 Door System: \_\_\_\_\_

Bedroom 3 Door Colour / Glass / Mirror: \_\_\_\_\_

# Wardrobe Adjustments



## Sliding Doors

### Door Alignment

Align the doors with the side walls. Using a Pozidriv screwdriver, correct the door alignment by turning the screw found on the wheel guides. Turn the screw clockwise to lower the door and anti-clockwise to raise the door. Adjust both the left and right wheels as required.

Engage the anti-jump clip by...

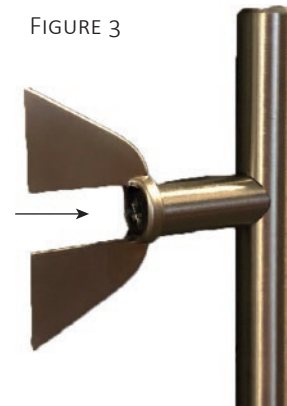
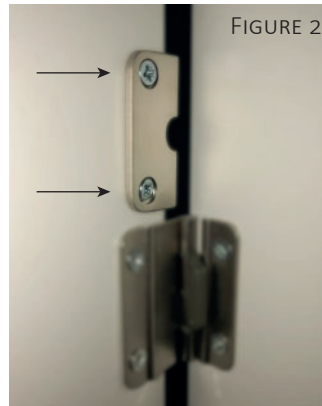
- ➔ Rotating the clip open and out.
- ↓ Pushing the clip down.
- ➔ Rotating the clip in and closed.

## Bi-Fold Doors

### Kel99 Handles

The Kel99 handle is fixed to the door via a bracket hooked around the door. Tighten the screws on this bracket to ensure the bracket is firmly fixed to the door. (See Figure 2)

The Kel99 handle is fixed to the bracket via a screw at the back of the handle. Tighten the screw seen on Figure 3 to ensure the handle is firmly secured to the bracket. This applies to the top and bottom of the handle.



### Opening Motion

Ensure the running track and rollers are free from dirt and dust. It is important that these areas are routinely cleaned to prevent a build up that stops the sliding and opening motion of your wardrobe doors.

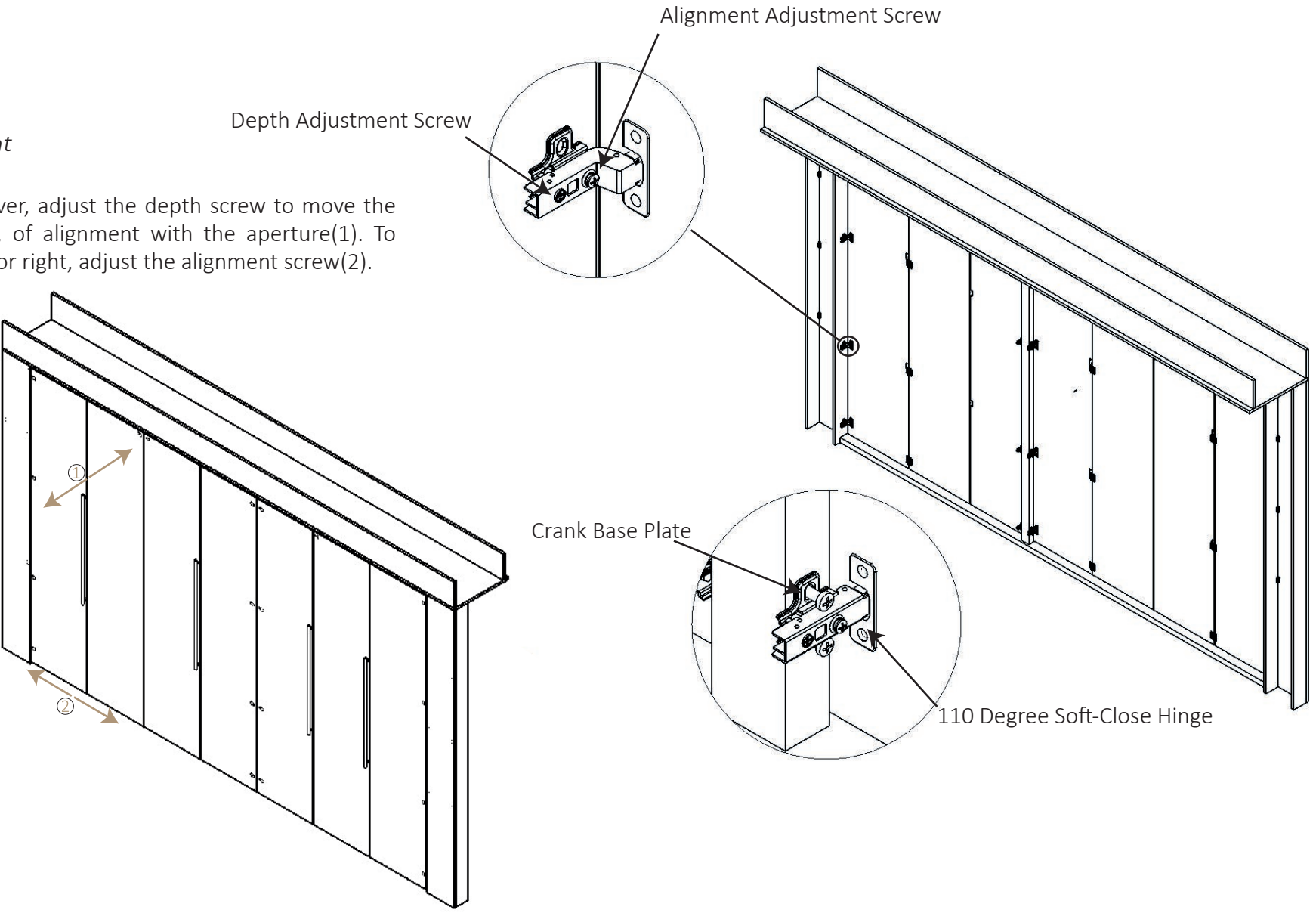
For more cleaning advice, see the next page.

# Wardrobe Adjustments

## BiFold Doors

### Door Alignment

Using a screwdriver, adjust the depth screw to move the doors in, or out, of alignment with the aperture(1). To move doors left, or right, adjust the alignment screw(2).



# Wardrobe Adjustments

## Wardrobe Door Positions

In the event that you have to remove a Kelvin sliding wardrobe door, you can quickly remove, adjust and realign your doors using these helpful tips.

For full installation instructions, visit our website or scan the QR code below.



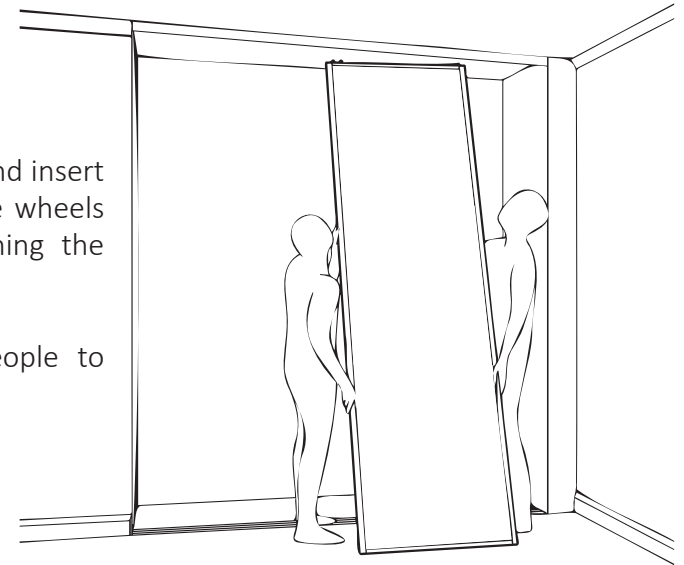
## Doors

### *Installing the Doors*

Back door(s) first, angle the door and insert it into the top track and lower the wheels into the floor track by straightening the door.

This should be done by two people to ensure safe manual handling.

*Reverse this method for safe removal.*



### *Door Layout*

Position your doors using the below diagram to allow for maximum opening areas and overlaps.



# Cleaning Guide

---

## Light, Fresh Soiling

Clean with a paper towel, a soft clean cloth (dry/damp) or a sponge. If using a damp cloth, dry the surface with an absorbent paper towel or microfibre cloth.

Streaks often form when the surface is cleaned with organic solvents, together with cold water and old cloths. To ensure no streaks occur when cleaning, we recommend wiping the surface down with warm water and then drying it using normal paper towels or microfibre cloths.

## Normal Soiling - Extended Contact Time

Clean with warm water, a clean rag or microfibre cloth, a soft sponge or soft brush. Use normal domestic cleaners or soaps that have no abrasive ingredients. Then wipe with fresh water, removing all traces of the cleaning agent, to prevent streaks forming. Dry the surface with a clean, absorbent cloth or paper towels.

The following cleaning agents should not be used under any circumstances:

- Scouring and abrasive agents (abrasive powders, scouring pads, steel wool).
- Polish, washing powder, furniture cleaner, bleach.
- Detergents with strong acids and acidic salts.
- Steam cleaning equipment.

## Care and Usage for Matt Surfaces

Surfaces with a matt finish have a very natural look and feel. The oiled or matt lacquered type finish thus retains the characteristics of the original, solid wood surface. Like high-gloss or solid wood surfaces, a few points need to be considered when using and caring for matt surfaces.

As with other synthetic surfaces, normal soiling is easy to remove without any problems. What is important is that the surfaces are only cleaned with a soft, moist cloth. Under no circumstances must abrasive agents/powders, steel wool, polish, washing powder, furniture cleaner, bleach, acidic cleaning agents or steam cleaning equipment be used.

The reason for these precautions is that abrasive cleaners, rough cloths or scouring pads will cause bright patches or highlights in the surface if applied too vigorously, which damage the surface and are impossible to remove. Remnants of fat should also be removed as quickly as possible (within 48 hours) as the surface may be damaged if they are allowed to remain in contact with it for too long.

All glass & mirror used in our products is manufactured to BS EN 12600:2002 2B2; 4mm internal safety-backed glass suitable for internal use in buildings and construction works.



[www.kelvinwardrobes.co.uk](http://www.kelvinwardrobes.co.uk)



# Kelvin Wardrobes

Our retail department has its own dedicated website for spares, additions and new products for you to purchase at the click of a button.

If you don't see what you are looking for, contact us using the online form and one of our team will get back to you.



2 Hunt Hill  
Cumbernauld  
G68 9LF

[info@kelvinkbb.com](mailto:info@kelvinkbb.com)